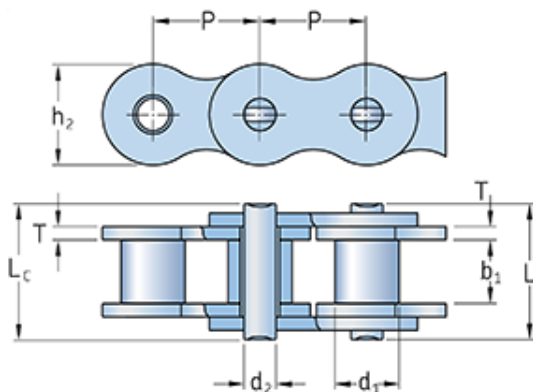


PHC 24B-1X5MTR



Pitch P (mm)	38.1
Roller diameter d1 max (mm)	25.4
Width between inner plates b1 min (mm)	25.4
Pin diameter d2 max (mm)	14.63
Plate height h2 max (mm)	33.2
Plate thickness T max (mm)	4.8
Weight (kg/m)	7.1